

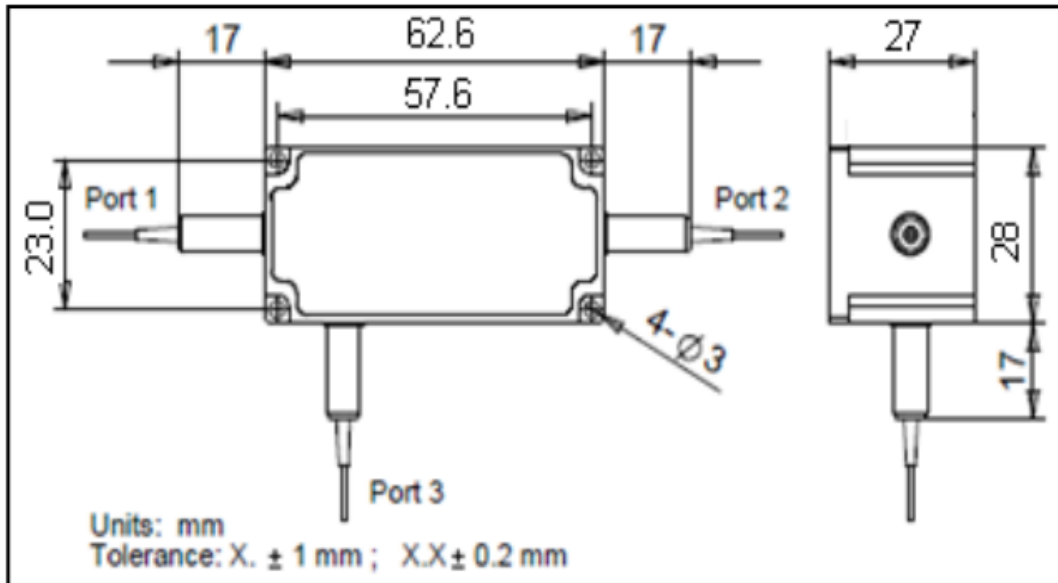


Polarization Insensitive Circulator-780, 830, 850nm

Specifications

Parameters	Unit	3 Port
Operating Wavelength (λ_{op})	nm	780, 830, 850
Operating Wavelength Range	nm	± 10
Typ. Insertion Loss (23°C)	dB	1.3
Insertion Loss (23°C)	dB	≤ 1.8
Isolation (23°C all SOP)	dB	≥ 20
Crosstalk (P1 to P3)	dB	≥ 45
Return Loss	dB	≥ 50
WDL	dB	≤ 0.2
Power Handling	mW	300
Fiber Type		HI 780
Dimension	mm	96.6x28x27
Operating Temperature (T_{op})	°C	10 ~ 50
Storage Temperature	°C	-10 ~ +60

Package Dimensions



Ordering Information

CIR- ①-②-③③③-④④④-⑤-⑥⑥⑥⑥⑥⑥-⑦⑦-⑧⑧⑧⑧⑧⑧⑧⑧⑧⑧

①	Port	3=3 Port;
②	Grade	P=P Grade;
③	Wavelength	780; 830; 850;
④	Pigtail Type	250=250um Fiber; 900=900um Loose Tube; 3mm=3mm Loose Tube;
⑤	Fiber Length	1=1m;
⑥	Fiber Type	HI 780;
⑦	Connector	NE=None; FA=FC/APC; FC=FC/UPC; SA=SC/APC; SC=SC/UPC; XX=Other;
⑧	Package	96.6x28x27;



詳しい問い合わせ：有限会社アミスター
 〒146-0085 東京都大田区久が原1-5-7-302
 TEL:03-6410-4277 FAX:03-6410-4278
 E-mail:info@amistar.jp

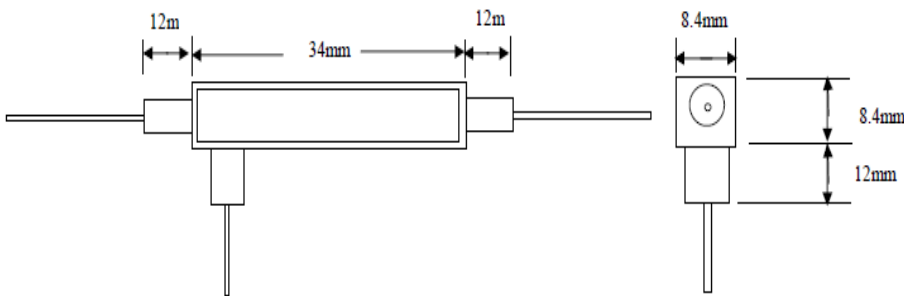


1064nm Polarization Insensitive Optical Circulator (CIR)

Specifications

Parameter	Type	3 Port
Operating wavelength (nm)		1060
Bandwidth(nm)		± 10
Isolation(dB)		≥20(Typ.25dB)
Insertion Loss (dB)		≤2.1(Typ 1.8)
PDL (dB)		≤0.2
Return loss (dB)		≥50
WDL(dB)		≤0.2
Cross Talk (dB)		≥45
Power handling (mW)		≤300
Fiber Type		HI1060
Fiber Length (m)		0.8
Operating temperature (°C)		0 ~ +70
Storage temperature (°C)		-40 ~ +85
Dimensions (mm)		34x8.4x8.4

Package Dimensions



Ordering Information

CIR	Type	Wavelength	Pigtail Type	Fiber Type	Length	Connector
	3=3 Port	1064	250=250um bare fiber 900=900um loose tube 3000=3mm loose tube	4=HI1060	0.8= 0.8m	NE=None FC=FC/UPC SC=SC/UPC FA=FC/APC SA=SC/APC ST=ST/UPC LC=LC/UPC



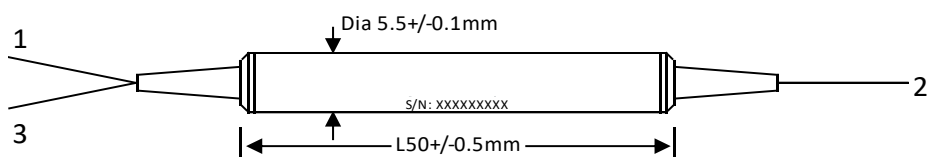
詳しい問い合わせ：有限会社アミスター
 〒146-0085 東京都大田区久が原1-5-7-302
 TEL:03-6410-4277 FAX:03-6410-4278
 E-mail:info@amistar.jp

3-Port Polarization Insensitive Optical Circulator-1.94μm/2μm

Specifications

Parameters	Unit	3 Port
Operating Wavelength (λ_{op})	nm	1940, 2000
Isolation ($\lambda_c \pm 20, 23^\circ\text{C}$)	dB	≥ 16
Insertion Loss ($\lambda_c \pm 20, 23^\circ\text{C}$)	dB	≤ 1.5
Cross Talk	dB	≥ 40
PDL	dB	≤ 0.2
Return Loss	dB	≥ 50
Average Power	W	1, 2, 5
Peak Power for ns Pulse	kW	10
Fiber Type		SMF-28e
Operating Temperature (T_{op})	$^\circ\text{C}$	-5 ~ +70
Storage Temperature	$^\circ\text{C}$	-40 ~ +85
Dimensions	mm	5.5x50

Package Dimensions



Ordering Information

CIR- ①-②-③③③③-④④④-⑤-⑥-⑦⑦-⑧⑧⑧⑧⑧⑧-⑨⑨

①	Port	3=3 Port;
②	Grade	P=P Grade;
③	Wavelength	1940=1940; 2000=2000nm;
④	Pigtail Type	250=250um Fiber; 900=900um Loose Tube; 3mm=3mm Loose Tube;
⑤	Fiber Type	1=SMF-28e;
⑥	Fiber Length	1=1m;
⑦	Connector	NE=None; FA=FC/APC; FC=FC/UPC; SA=SC/APC; SC=SC/UPC; XX=Other;
⑧	Package Size	5.5x50;
⑨	Handling Power	1W; 2W; 5W;

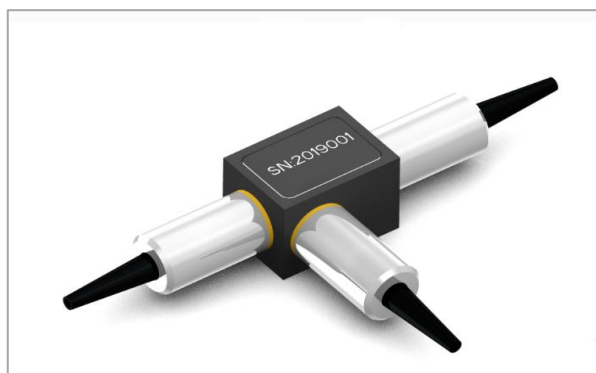
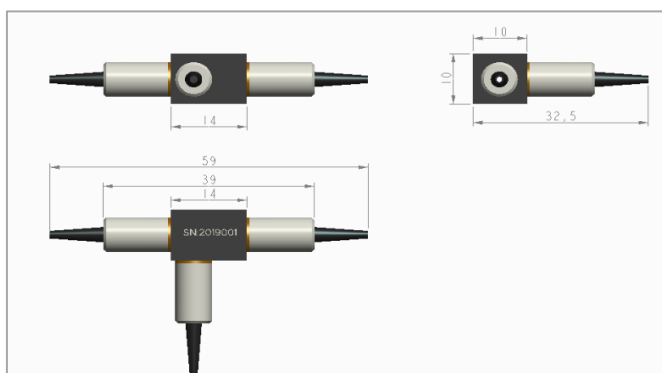


High Power 3 Port Polarization Maintaining Optical Circulator-2µm

Specifications

Parameters	Unit	Values
Center Wavelength	nm	1950, 2000, 2050, 2100
Insertion Loss, 23°C, $\lambda_c \pm 30\text{nm}$	dB	≤ 1.5
Isolation, 23°C, $\lambda_c \pm 30\text{nm}$	dB	≥ 16
Extinction Ratio	dB	≥ 18
Crosstalk	dB	≥ 40
Return Loss	dB	≥ 50
Fiber Type	--	PM1550 Fiber, PM 1950 Fiber, PM-GDF-10/130-2000-M
Axis Alignment	--	Fast Axis Blocked, Slow Axis Pass
Average Optical Power	W	1, 2, 5, 10
Peak Power for ns Pulse	KW	10
Operating Temperature	°C	-5 ~ +70
Storage Temperature	°C	-40 ~ +85
Package	mm	10x32.5x59

Package Dimensions



Ordering Information

PM CIR ①-②-③③③③-④④④-⑤-⑥⑥⑥-⑦⑦-⑧⑧⑧⑧⑧⑧⑧⑧⑧⑧-⑨⑨

①	Port	3=3 Port;
②	Type	F=Fast Axis Blocked;
③	Wavelength	1950; 2000; 2050; 2100;
④	Pigtail Type	250=250µm Fiber;
⑤	Fiber Type	5=PM1550; P9=PM1950; P10=PM-GDF-10/130-2000-M
⑥	Length	0.8=0.8m;
⑦	Connector	NE=None; FA=FC/APC; FC=FC/UPC; SA=SC/APC; SC=SC/UPC; XX=Other;
⑧	Package Size	10x32.5x59;
⑨	Power Handling	1W; 2W; 5W; 10W;



詳しい問い合わせ：有限会社アミスター
〒146-0085 東京都大田区久が原1-5-7-302
TEL:03-6410-4277 FAX:03-6410-4278
E-mail:info@amistar.jp