



RS-5/12-M



Compact $\pm 5V, \pm 12V$ Power Supply for Photonics Lab

- フォトニクスラボ用のVDC電源です。
- RS232及びUSB通信インターフェースで光波送信機などDC電力を必要とするレーザーモジュール等に接続使用できます。
- 一般的なVDCとしても使用できます。

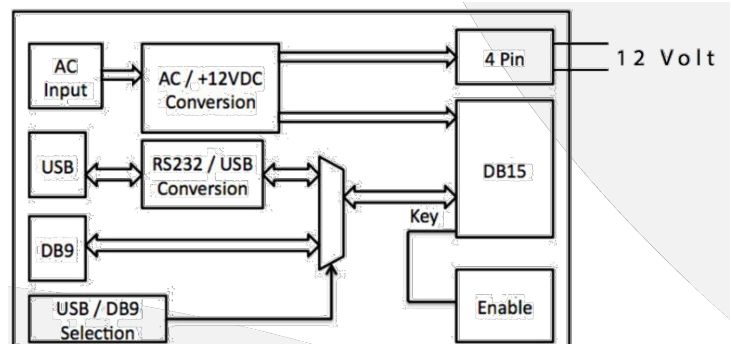
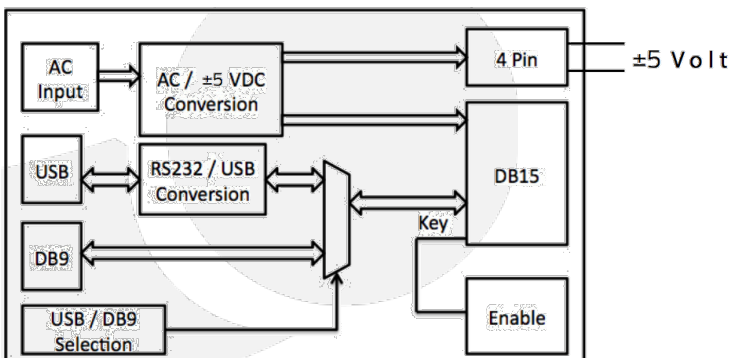
FEATURES

- High conversion efficiency
- Switchable Communication interface
- Low ripple noise
- Input voltage range 85 to 264 VAC
- Up to 2A current
- High efficiency of >85%
- Independent $\pm 5V$ DC Output
- Space size 1.3" x 4.5" x 6.5"
- Independent $\pm 12V$ DC Output
- Space size 1.3" x 4.5" x 6.5"
- Dual interface RS232 and USB
- Lightweight < 0.5 kg

USE IN

- $\pm 5V$ DC power supply for EDFA-PA-M and RP-M
- $\pm 12V$ DC power supply for Replacing large and low efficiency EDFA-PA-M and RP-M laboratory power supplies
- General purpose for photonics modules
- Replacing large and low efficiency laboratory power supplies

FUNCTIONAL DIAGRAM



詳しい問い合わせ：有限会社アミスター
 〒146-0085 東京都大田区久が原1-5-7-302
 TEL:03-6410-4277 FAX:03-6410-4278
 E-mail:info@amistar.jp



RS-5-M

SPECIFICATIONS

Input AC Voltage	85 - 264 VAC
Input AC Current	≤ 0.5 A
Input AC Frequency	50 - 60 Hz
Transfer Efficiency	≤ 85%
DC Output Current	≤ 2.1 A
DC Output Voltage	± 5.0 V ± 0.25 Volt
DC Voltage Ripple	≤ 2%
DC Power Output Connectors	DB - 15 and 2*2 PIN
Communication Connectors	DB - 9 and USB 2.0

GENERAL

MECHANICAL

Operating Temperature	-10 °C to +70 °C
Storage Temperature	-40 °C to +85 °C
Operating Humidity	≤ 85%
Dimensions	153 mm x 115 mm x 33 mm
Weight	0.5 kg

RS-12-M

SPECIFICATIONS

GENERAL

Input AC Voltage	- 264 VAC
Input AC Current	≤ 0.5 A
Input AC Frequency	- 60 Hz
Transfer Efficiency	≤ 85%
Output Current	≤ 2.1 A
Output Voltage	± 12.0 V ± 0.25 Volt
Voltage Ripple	≤ 2%
Power Output Connectors	DB - 15 and 2*2 PIN
Communication Connectors	DB - 9 and USB 2.0
Operating Temperature	-10 °C to +70 °C
Storage Temperature	-40 °C to +85 °C
Operating Humidity	≤ 85%
Dimensions	mm x 115 mm x 33 mm
Weight	0.5 kg



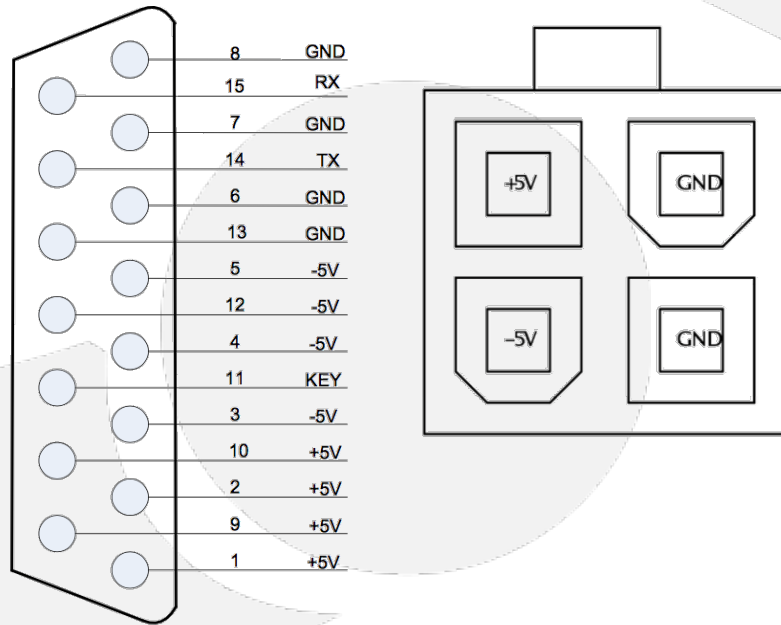
詳しい問い合わせ：有限会社アミスター
〒146-0085 東京都大田区久が原1-5-7-302
TEL:03-6410-4277 FAX:03-6410-4278
E-mail:info@amistar.jp



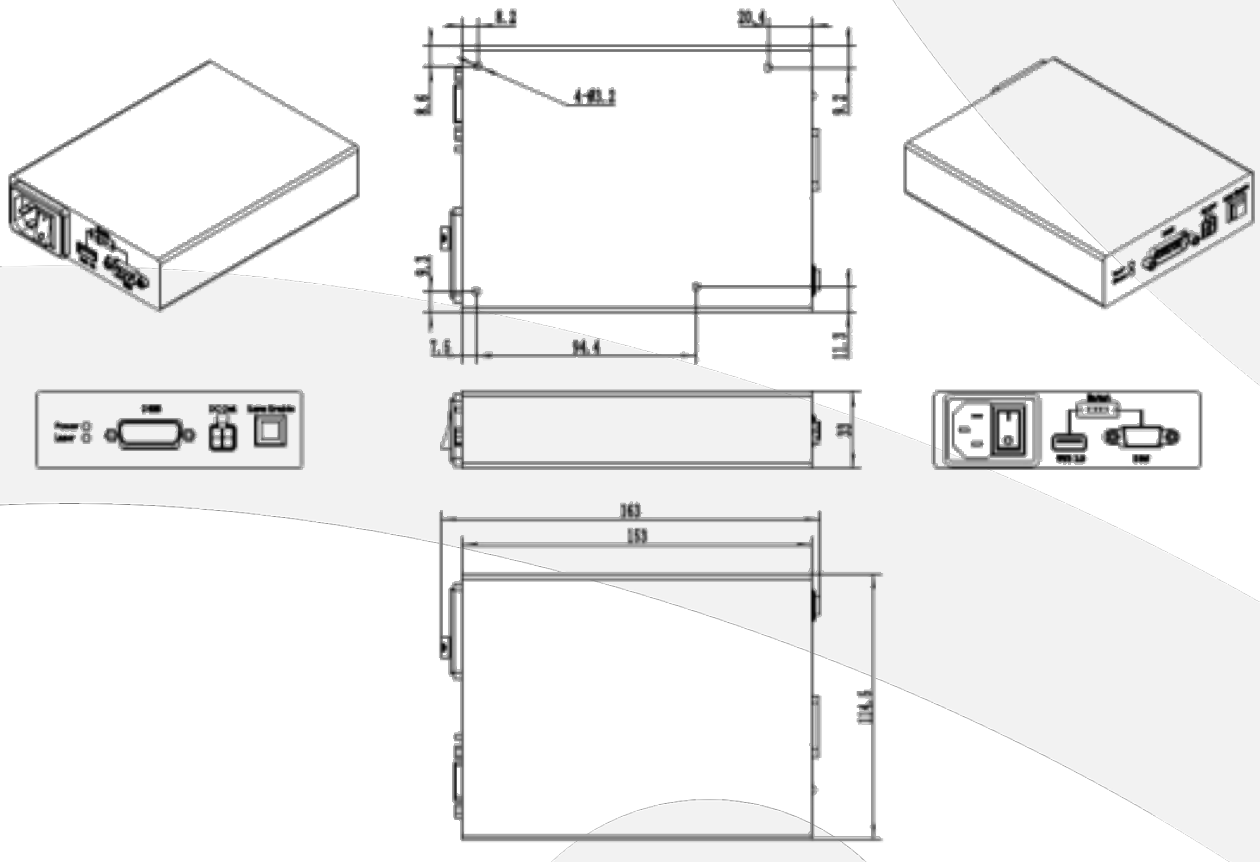
ELECTRICAL PIN OUT

DB-15 Female Connector

4 Pin Male Connector



MECHANICAL DRAWING



詳しい問い合わせ：有限会社アミスター
〒146-0085 東京都大田区久が原1-5-7-302
TEL:03-6410-4277 FAX:03-6410-4278
E-mail:info@amistar.jp