



## 1x2(2x2) Fused PM Fiber Standard Coupler

### Specifications

Parameters	Unit	Grade P	Grade A	Grade P	Grade A	Grade P	Grade A
Operating Wavelength	nm	1310, 1550		980, 1030, 1040, 1060		780, 850	
Operating Bandwidth	nm	+/-15					
Typical Excess Loss	dB	≤0.3	≤0.4	≤0.4	≤0.6	≤0.6	≤0.8
Polarization Extinction Ratio	dB	≥20	≥18	≥20	≥18	≥20	≥18
Return Loss	dB	≥55					
Power Handling	W	≤3					
Directivity	dB	≥55					
Operating Temperature	°C	-40 ~ +85					
Storage Temperature	°C	-40 ~ +85					

### Splitting Ratio Tolerance

Splitting Ratio	Grade P	Grade A
50/50	±4.8	±7.0
60/40	±3.9	±5.5
70/30	±2.5	±4.0
80/20	±2.3	±3.1
90/10	±2.1	±2.6
95/5	±1.4	±1.5
98/2	±0.7	±1.0
99/1	±0.5	±0.6

### Package Information

Configuration	1x2 or 2x2		
Fiber Length	0.8m, others on request		
Fiber Type	Panda fiber		
Pigtail Type	250μm Bare Fiber	900μm Loose Tube	900μm/2mm/3mm Loose Tube
Dimensions(mm)	φ3.0×40; φ3.0×54	φ3.0×54	90×16×9

### Ordering Information

CP- ①①-②-③③③-④④④-⑤⑤⑤⑤-⑥⑥⑥-⑦-⑧⑧⑧-⑨⑨-⑩⑩⑩⑩⑩⑩⑩⑩⑩

①	Type	PS=PM Fused Coupler
②	Grade	P=Grade P; A=Grade A
③	Port Type	1x2; 2x2;
④	Wavelength	780; 850; 980; 1030; 1040; 1064; 1310; 1550;
⑤	Coupling Ratio	1/99; 2/98; 3/97; .....; 50/50;
⑥	Pigtail Type	250=250um Fiber; 900=900um Loose Tube;
⑦	Fiber Type	5=Panda Fiber
⑧	Length	0.8= 0.8m
⑨	Connector	NE=None; FA=FC/APC; FC=FC/UPC; SA=SC/APC; SC=SC/UPC; LC=LC/UPC; XX=Others
⑩	Package	φ3.0×40; φ3.0×54; 90×16×9



詳しい問い合わせ：有限会社アミスター  
 〒146-0085 東京都大田区久が原1-5-7-302  
 TEL:03-6410-4277 FAX:03-6410-4278  
 E-mail:info@amistar.jp



## Single Mode Standard Fused Coupler-2000nm

### Specifications

Parameters		Unit	Grade P
Operating Wavelength		nm	1900, 1950, 2000
Operating Bandwidth		nm	±15
Typical Excess Loss		dB	0.3
Insertion Loss	50/50	dB	≤3.6/3.6
	40/60	dB	≤4.8/2.8
	30/70	dB	≤6.0/2.0
	20/80	dB	≤8.0/1.5
	10/90	dB	≤11.5/0.75
	5/95	dB	≤14.5/0.5
	2/98	dB	≤18.5/0.35
	1/99	dB	≤22/0.3
PDL		dB	≤0.15
Directivity		dB	≥50
Operating Temperature		℃	-40 ~ +85

### Package Information

Configuration	1x2 or 2x2		
Fiber Length	1m, others on request		
Fiber Type	SMF-28e or Nufern SM 1950		
Pigtail Type	250μm Bare Fiber	900μm Loose Tube	900μm/2mm/3mm Loose Tube
Dimensions(mm)	φ3.0x45	φ3.0x60	90x16x9

### Ordering Information

CP- ①-②-③③③-④④④④-⑤⑤⑤⑤-⑥⑥⑥-⑦⑦⑦⑦⑦⑦⑦⑦-⑧-⑨⑨-⑩⑩⑩⑩⑩

①	Type	S=Standard;
②	Grade	P=Grade P;
③	Port Type	1x2; 2x2;
④	Wavelength	1900; 1950; 2000;
⑤	Coupling Ratio	1/99; 2/98; 3/97; .....; 50/50;
⑥	Pigtail Type	250=250μm Fiber; 900=900μm Loose Tube; 2mm=2mm loose tube; 3mm=3mm Loose Tube;
⑦	Fiber Type	1=SMF-28e; 9=SMF1950;
⑧	Length	1= 1m; X=Other;
⑨	Connector	NE=None; FA=FC/APC; FC=FC/UPC; SA=SC/APC; SC=SC/UPC; LC=LC/UPC; XX=Others;
⑩	Package	3x45; 3x60; 90x16x9;



詳しい問い合わせ：有限会社アミスター  
 〒146-0085 東京都大田区久が原1-5-7-302  
 TEL:03-6410-4277 FAX:03-6410-4278  
 E-mail:info@amistar.jp



## Special Wavelength Single Mode Coupler



### Specifications

Parameter	Value			
Operating wavelength (nm)	488, 532	633	780, 830, 850	980, 1064
Operating bandwidth (nm)	±15			
Coupling ratio	1/99 ~ 50/50			
Fiber type	SM450	SM600	HI780C, SM800	HI1060flex
Typical excess Loss(dB)	1.0	0.7	0.4	0.2
Directivity (dB)	≥55			
Operating temperature (°C)	-40 ~ +85			

### Package Information

Configuration	1x2 or 2x2		
Fiber length	0.8m, others on request		
Pigtail type	250µm bare fiber	900µm loose tube	900µm/2mm/3mm loose tube
Dimensions(mm)	φ3.0×54	φ3.0×54	90×14×8.5

### Ordering Information

CP	Type	Grade	Port Type	Wavelength (nm)	Coupling Ratio	Pigtail Type	Fiber Type	Length	Connector	Package
	S=SMF	P A	1x2 2x2 .....	488 532 633 780 830 850 980 1064	1/99 2/98 3/97 ..... 50/50	250=250um bare fiber 900=900um loose tube 2000=2mm loose tube 3000=3mm loose tube	SM450 SM600 HI780C SM800 HI1060flex HI1060	1= 1m X: other	NE=None FA=FC/APC FC=FC/UPC SA=SC/APC SC=SC/UPC LC=LC/UPC LA=LC/APC XX=Others	3x54 90x14x8.5 .....



詳しい問い合わせ：有限会社アミスター  
 〒146-0085 東京都大田区久が原1-5-7-302  
 TEL:03-6410-4277 FAX:03-6410-4278  
 E-mail:info@amistar.jp



## Single Mode Wide Band Coupler

### Specifications

Parameters		Unit	Grade P	Grade A
Operating Wavelength		nm	1310 or 1550 or 1580	
Operating Bandwidth		nm	±40	
Typical Excess Loss		dB	0.07	0.10
Insertion Loss	50/50	dB	≤3.4	≤3.6
	40/60	dB	≤4.4/2.6	≤4.7/2.8
	30/70	dB	≤5.7/1.9	≤6.0/2.0
	20/80	dB	≤7.6/1.25	≤8.0/1.3
	10/90	dB	≤11.0/0.65	≤11.5/0.8
	5/95	dB	≤14.2/0.4	≤14.8/0.5
	2/98	dB	≤18.5/0.25	≤19.0/0.35
	1/99	dB	≤21.5/0.2	≤22.0/0.3
PDL		dB	≤0.10	≤0.15
Return Loss		dB	≥50	
Directivity		dB	for 1x2 ≥50, ≥60 on request for 2x2, ≥60	
Operating Temperature		°C	-40 ~ +85	
Storage Temperature		°C	-40 ~ +85	

### Package Information

Configuration	1x2 or 2x2
Fiber Length	1m, others on request
Fiber Type	SMF-28e

### Ordering Information

CP- ①-②-③③③-④④④④-⑤⑤⑤⑤-⑥⑥⑥-⑦-⑧-⑨⑨-⑩⑩⑩⑩

①	Type	W=Wide band coupler;
②	Grade	P=Grade P; A=Grade A;
③	Port Type	1x2; 2x2;
④	Wavelength	1310; 1550; 1580;
⑤	Coupling Ratio	1/99; 2/98; 3/97; .....; 50/50;
⑥	Pigtail Type	250=250μm Fiber; 900=900μm Loose Tube; 2mm=2mm loose tube; 3mm=3mm Loose Tube;
⑦	Fiber Type	1=SMF-28e;
⑧	Length	1= 1m; X=Other;
⑨	Connector	NE=None; FA=FC/APC; FC=FC/UPC; SA=SC/APC; SC=SC/UPC; LC=LC/UPC; XX=Others;
⑩	Package	3x40; 3x56; 90x16x9;



詳しい問い合わせ：有限会社アミスター  
 〒146-0085 東京都大田区久が原1-5-7-302  
 TEL:03-6410-4277 FAX:03-6410-4278  
 E-mail:info@amistar.jp



## 980/1064 (980/1030) Wavelength Division Multiplexer Coupler

### Specifications

Parameter	980/1064 or 980/1030 WDMC	
Operating wavelength (nm)	980 and 1064; 980 and 1030;	
Operating bandwidth (nm)	±5	
Grade	P	A
Insertion loss (dB)	≤0.3	≤0.4
Isolation (dB)	≥15	≥13
PDL (dB)	≤0.10	≤0.15
Directivity (dB)	≥55	
Operating temperature (°C)	-40 ~ +85	

### Package Information

Configuration	1x2 or 2x2	
Fiber length	0.8m, others on request	
Fiber Type	Corning HI1060flex or HI1060	
Pigtail type	250µm bare fiber	900µm loose tube
Dimensions(mm)	φ3.0×60	φ3.0×60

### Ordering Information

WDMC	Grade	Wavelength	Port	Pigtail Type	Fiber Type	Length	Connector	Package
	P A	980/1064 980/1030	12=1x2 22=2x2	250=250um bare fiber 900=900um loose tube 2000=2mm loose tube 3000=3mm loose tube	4=HI1060FLEX X=HI1060	0.8=0.8 m X:other	NE=None FA=FC/APC FC=FC/UPC SA=SC/APC SC=SC/UPC LC=LC/UPC LA=LC/APC MU=MU/UPC XX=Other	3x60 ....



詳しい問い合わせ：有限会社アミスター  
〒146-0085 東京都大田区久が原1-5-7-302  
TEL:03-6410-4277 FAX:03-6410-4278  
E-mail:info@amistar.jp



## 980/1550nm Wavelength Division Multiplexer Coupler

### Specifications

Parameter	Type		980/1550nm Mixed Fiber WDMC	
	980/1550,980/1590 WDMC		980/1550nm Mixed Fiber WDMC	
Operating wavelength (nm)	980 and 1550 980 and 1590		980 and 1550	
Operating bandwidth (nm)	±10/20		±15	
Grade	P	A	P	A
Insertion loss (dB)	≤0.15	≤0.25	≤0.25	≤0.35
Isolation (dB)	≥20	≥18	≥20	≥18
PDL (dB)	≤0.05	≤0.1	≤0.05	≤0.1
Directivity (dB)	≥55			
Operating temperature (°C)	-40 ~ +85			

### Package Information

Configuration		1x2 or 2x2		
Fiber length		0.8m, others on request		
Fiber Type	Common port & Pump Port	Corning HI1060flex or OFS BF05635-02		Corning HI1060flex or OFS BF05635-02
	Signal Port	Corning HI1060flex or OFS BF05635-02		Corning SMF-28e
Pigtail type		250µm bare fiber	900µm loose tube	900µm/2mm/3mm loose tube
Dimensions(mm)		φ3.0×54 φ3.0×40	φ3.0×54	90×14×8.5 or 90×16×9

### Ordering Information

WDMC	Grade	Wavelength	Port	Pigtail Type	Fiber Type	Length	Connector	Package
	P A	980/1550 980/1590 XX/XX	1x2 2x2	250=250um bare fiber 900=900um loose tube 2000=2mm loose tube 3000=3mm loose tube	1=SMF-28 4=HI1060F LEX X=Other	0.8= 0.8m X:other	NE=None FA=FC/APC FC=FC/UPC SA=SC/APC SC=SC/UPC LC=LC/UPC LA=LC/APC XX=Other	3x54 3x40 ....



詳しい問い合わせ：有限会社アミスター  
〒146-0085 東京都大田区久が原1-5-7-302  
TEL:03-6410-4277 FAX:03-6410-4278  
E-mail:info@amistar.jp



# 1x2(2x2) PM Filter Coupler-2000nm

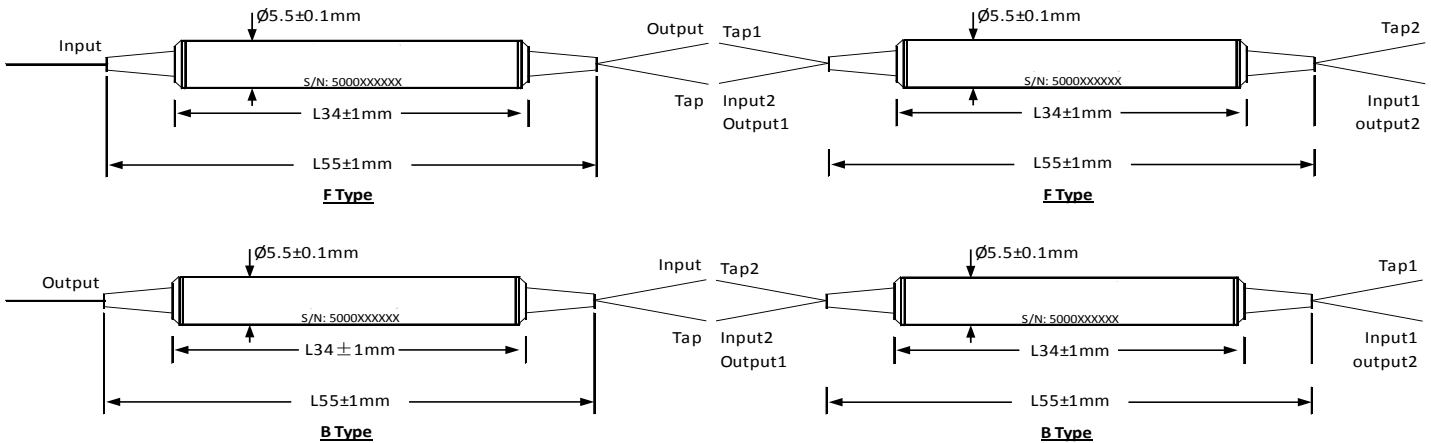
## Specifications

Parameters		Unit	1X2	2X2
Center Wavelength		nm	2000	
Operating Wavelength Range		nm	±40	
Excess Loss		dB	≤1.2	≤1.5
Uniformity (only for 50/50)		dB	≤0.6	≤0.8
Tap Ratio (Port 2/4)		%	1±0.2%, 2±0.4%, 5±1.0%, 10%, and 50%	
Extinction Ratio		dB	≥18	
Return Loss		dB	≥50	
Power Handling		mW	≤500	
Fiber Type	Tap Port 2/4		SMF-28e or PM1550	
	Port 1/3		PM1550	
Operating Temperature		°C	0 ~ +65	
Storage Temperature		°C	-40 ~ +85	
Dimensions		mm	φ5.5×L34	

\*For devices with connectors, IL+0.3dB, RL-5dB, ER-2dB.

\*The default connector key is aligned to slow axis.

## Package Dimensions



## Ordering Information

PMFC- (1)(1)(1)-(2)(2)(2)(2)-(3)(3)(3)(3)-(4)-(5)(5)(5)-(6)(6)(6)(6)(6)(6)-(7)(7)(7)-(8)(8)

①	Type	1x2; 2x2;
②	Wavelength	2000;
③	Coupling Ratio	1/99; 2/98; 3/97; ; 50/50;
④	Axis Alignment	F=Fast Axis Blocked;
⑤	Pigtail Type	250=250um Fiber; 900=900um Loose Tube;
⑥	Fiber at Tap Port	SMF-28e; PM1550;
⑦	Length	0.8=0.8m;
⑧	Connector	NE=None; FA=FC/APC; FC=FC/UPC; SA=SC/APC; SC=SC/UPC; XX=Other;



詳しい問い合わせ：有限会社アミスター  
 〒146-0085 東京都大田区久が原1-5-7-302  
 TEL:03-6410-4277 FAX:03-6410-4278  
 E-mail:info@amistar.jp